

SANDSTOR™

Quality Storage for Golf Course Topdressing Sand

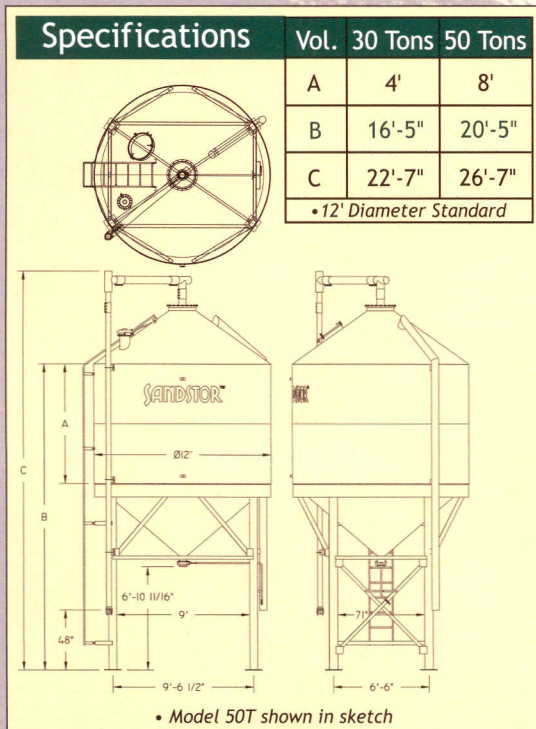
The Sandstor™ Silo is specifically designed for the golf course application, providing *aesthetically appealing storage* of clean, dry, uncontaminated topdressing sand. Simple operation allows easy filling of applicators and spreaders. The Sandstor™ Silo is delivered fully constructed to your facility and set in place. Built by *Quality Craftsmen* with attention to detail, the Sandstor™ will offer years of continued service.

Standard Features

- ◆ 40 Degree Cone Bottom
- ◆ 4" Fill Tube Assembly-*standard color black*
- ◆ 6" Vent Assembly with Filter Sock
- ◆ 22" Triple Latch Roof Manhole
- ◆ Level Indicators
- ◆ 6" Butterfly Valve with Handle
- ◆ 6'-10" Discharge Clearance
- ◆ Ladder-*standard color black*
- ◆ Bin Color: Hunter Green

Additional Options

- ◆ Ladder Cage Package
- ◆ Ladder Lockout
- ◆ Roof Handrail
- ◆ Skid Base



The Perfect Solution...

- ◆ Sealed Storage
- ◆ Saves Labor Costs
- ◆ Pneumatically Filled
- ◆ Prevents Contamination
- ◆ Saves Loading Time
- ◆ Professionally Built
- ◆ No Wasted Sand
- ◆ Fast, Easy Setup!!

MERIDIAN
MANUFACTURING GROUP

www.meridianmfg.com

STORM LAKE OFFICE
2897 Expansion Blvd
Storm Lake, IA 50588
Phone (712) 732-1780
Fax (712) 732-1028
Toll Free 1-800-437-2334

WINKLER OFFICE
275 Hespeler Ave.
Winkler, MB R6W 4A8
Phone (204) 325-7883
Fax (204) 325-5556
Toll Free 1-800-665-7259

LETHBRIDGE OFFICE
3125 - 24th Ave. North
Lethbridge, AB T1H 5G2
Phone (403) 320-7070
Fax (403) 320-7579
Toll Free 1-800-661-1436

CAMROSE OFFICE
4232 - 38th St.
Camrose, AB T4V 4B2
Phone (780) 672-4516
Fax (780) 672-4759
Toll Free 1-800-830-2467